

October 12, 2011

RECALL # 20111012

IMPORTANT SAFETY NOTICE

PRODUCT RECALL

MLK Series Hoist, MLK-A53 Motors, ML50K-316 Shaft

To Our Valued Customer:

Ingersoll Rand requests that the products as described below be removed from service immediately.

Affected Products:

- **MLK Series Hoists** manufactured between January 1, 2011 and September 30, 2011
 - affected serial number range KTH001-0101-11 through KTH999-0930-11
- **MLK-A53 Motor** assembly service part received between January 1, 2011 and September 30, 2011.
- **ML50K-316 Shaft** service parts received between January 1, 2011 and September 30, 2011.
- **All MLK Series Hoists** repaired between January 1, 2011 and September 30, 2011 with the **MLK-A53 Motor** or **ML50K-316 Shaft** as stated above.

Product Defect:

There is a potential defect in these products which may lead to premature wear of the gear teeth on the ML50K-316 shaft.

Consequence of the Defect:

Excessive wear of the gear teeth on this shaft may cause the hoist to drop the load it is carrying, which could result in serious injury, death or property damage.

Repair/Rework/Return Strategy:

Complete hoists and motor assemblies can be repaired with a shaft replacement kit, part number **382-36576**. The kit contains the necessary parts and instructions to update the hoist or motor with a new shaft and put it back into service or into stock.

- **The hoist must be repaired by a certified Ingersoll Rand repair center and recertified per the instructions included in the kit.**
- **If you are in possession of an MLK Series Hoist or MLK-A53 Motor within the affected serial number range KTH001-0101-11 through KTH999-0930-11, please call the Ingersoll Rand toll free number at 1-888-200-3601 for instructions on how to locate an authorized repair center to facilitate the rework of the hoist or motor.**

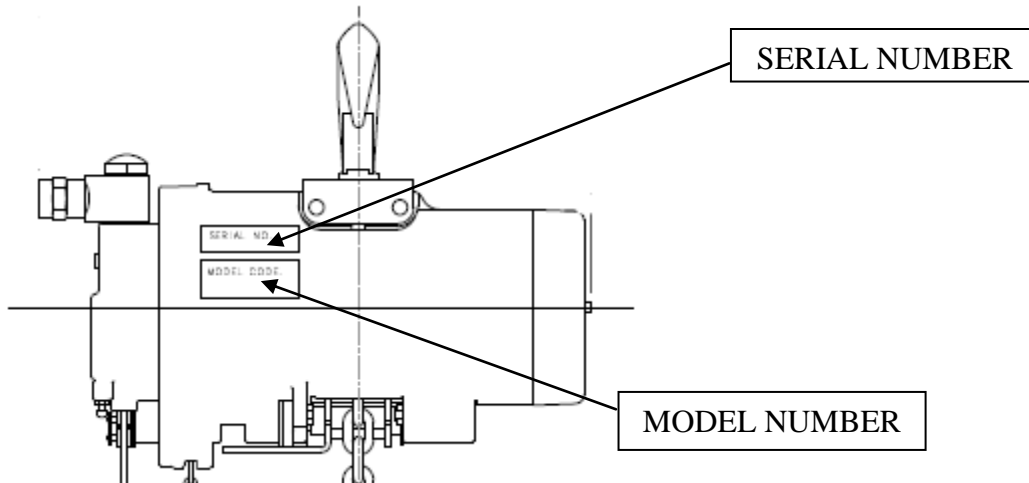
- If you are in possession of ML50K-316 Shafts received between January 1, 2011 and September 30, 2011, please call the toll free number listed above for instructions on how to return the Shafts for replacement through your local distributor.

MLK Series Hoists and Motors affected include the models listed in Table 1 below with the serial numbers listed above. Figure 1 shows the location of the model number and the serial number:

Table 1: Affected MLK Series Hoist and Motor Models

Complete Hoists	Model Designations- beginning with:		
¼ Ton Models	ML250K	ML250KS	ML250KR
½ Ton Models	ML500K	ML500KS	ML500KR
1 Ton Models	ML1000K	ML1000KS	ML1000KR
Spare Service Parts	Part Numbers		
MLK Motor Assembly	MLK-A53		
MLK Shaft	ML50K-316		

Figure 1: Location of model and serial number



It is imperative we obtain your immediate response to this request; if the gear teeth on the ML50K-316 Shaft should break, there is potential in certain instances for the hoist to drop the load it is carrying, which could result in serious injury, death or property damage. If you have any questions regarding this action please contact Ingersoll Rand at the following toll free number: **1-888-200-3601**. Or, contact Ingersoll Rand by email at recall@irco.com and reference RECALL # 20111012.

We at Ingersoll Rand set high standards for the products we sell and are voluntarily taking this action to ensure that those standards of quality, safety, and reliability continue to be met. We apologize for any inconvenience this may cause you and thank you in advance for your cooperation and assistance.

Sincerely,

Terry Adams
Vice President, Technical Support