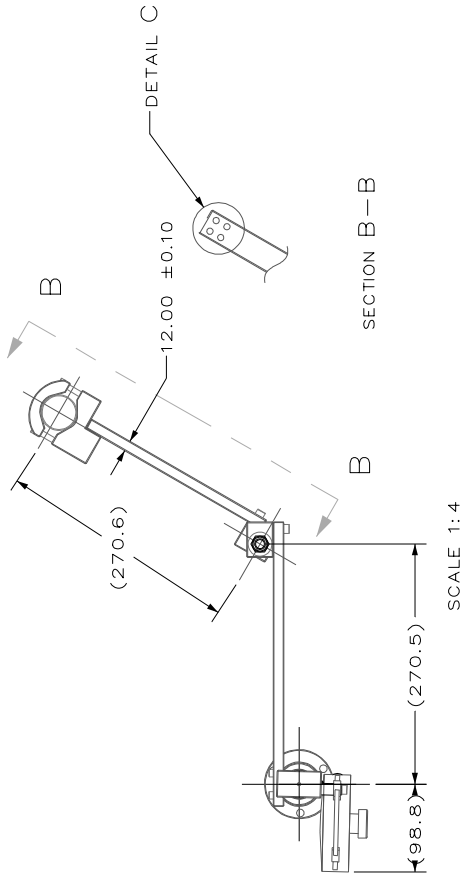
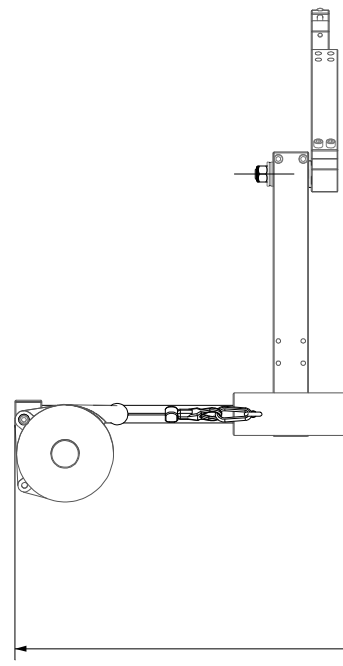


ZONE	REV	DESCRIPTION	DATE	APPROVED
00	ECO1359JUS	ENGINEERING RELEASE	05/29/08	JTC

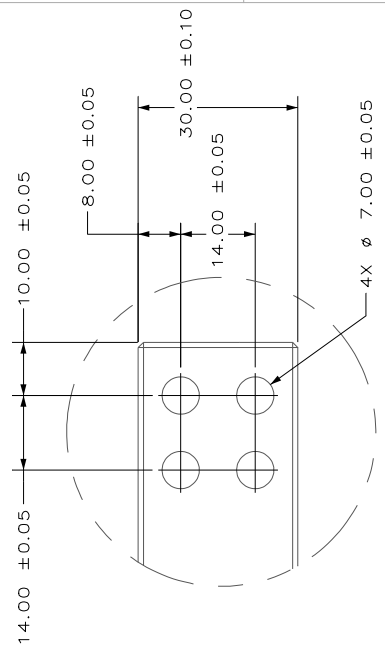
- NOTES:
1. MAX TORQUE: 20Nm
 2. MAX WORKING REACH: 508mm
 3. TOOL DIAMETER: 51.82/27.94mm
 4. MAX TOOL WEIGHT: 2.27kg



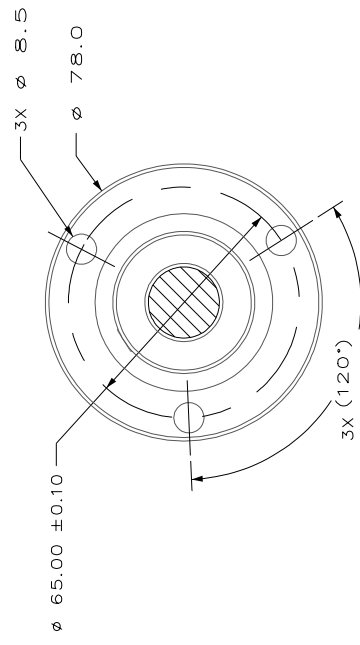
SCALE 1:4



SCALE 1:4



DETAIL C
ROTATED 60° CW
SCALE 3:2
TOOL HOLDER REMOVED
FOR CLARITY



SECTION A-A
SCALE 1:1

MATERIAL	UNLESS OTHERWISE SPECIFIED, DIMENSIONS ARE IN MILLIMETERS. DIMENSIONS IN PARENTHESES ARE IN INCHES. REMOVE BURRS AND SHARP CORNERS. FINISH ALL SURFACES. V	C O P Y R I G H T C O M P A N Y ALL RIGHTS RESERVED	WARNING: THE SCOPE OF THIS DRAWING OR PRODUCT PRODUCED BY THIS DRAWING IS SUBJECT TO U.S. EXPORT CONTROL LAWS AND REGULATIONS. IT IS THE USER'S RESPONSIBILITY TO OBTAIN ALL NECESSARY EXPORT PERMITS AND LICENSES. THIS DRAWING AND THE INFORMATION IT CONTAINS ARE PROTECTED BY COPYRIGHT AND OTHER LAWS AND MAY BE SUBJECT TO EXPORT RESTRICTIONS. THE USER AGREES TO OBTAIN ALL NECESSARY EXPORT PERMITS AND LICENSES. THE USER AGREES TO OBTAIN ALL NECESSARY EXPORT PERMITS AND LICENSES. THE USER AGREES TO OBTAIN ALL NECESSARY EXPORT PERMITS AND LICENSES.	0.8 SI-METRIC DIMENSIONS REQUIRED IN ENGLISH DIMENSIONS THIRD ANGLE PROJECTION	Ingersoll-Rand Company AMERICAN TOOL COMPANY AMT-1000 AMT-1000
				PROJECT: TORQUE ARM ASSEMBLY, 20Nm PART NO.: Q1A020 DATE: 02/29/08 DRAWN BY: JTC CHECKED BY: JTC PROJECT LEADER: JTC	DRAWING TITLE: TORQUE ARM ASSEMBLY, 20Nm PART NO.: Q1A020 DATE: 02/29/08 DRAWN BY: JTC CHECKED BY: JTC PROJECT LEADER: JTC