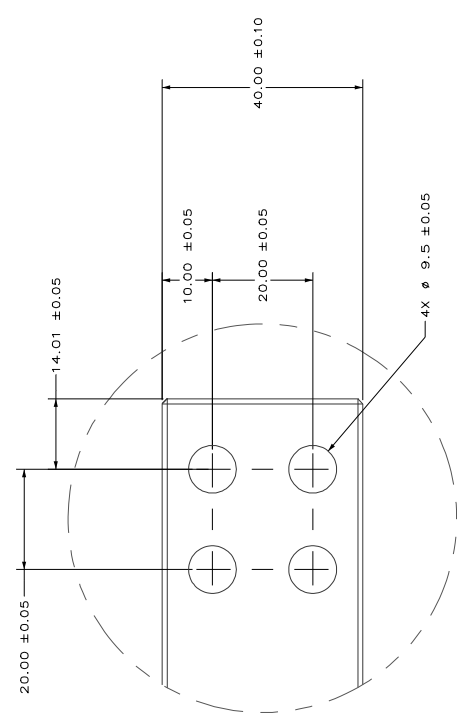
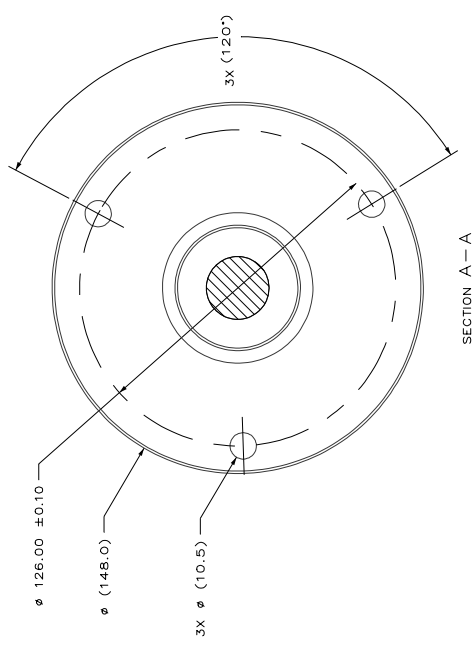
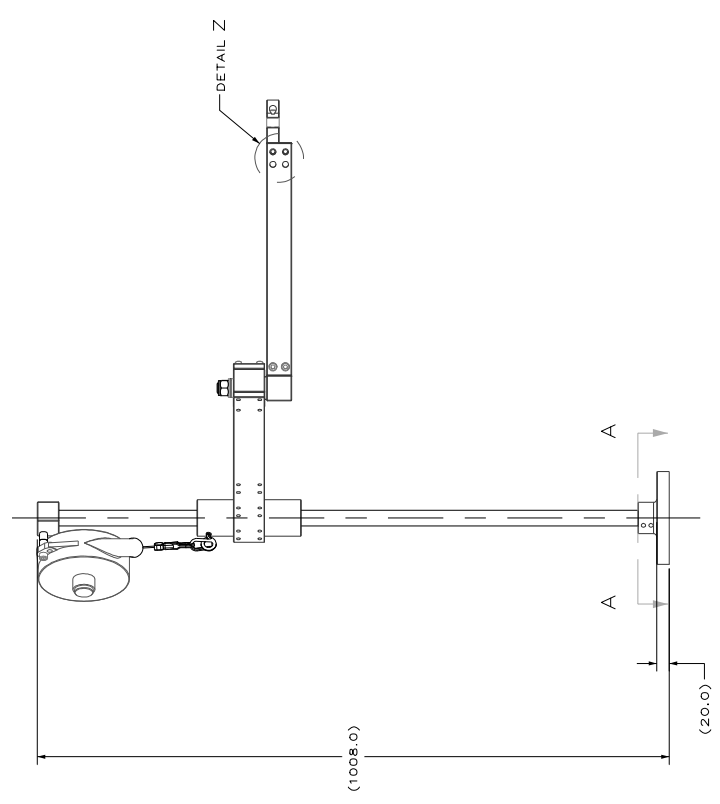
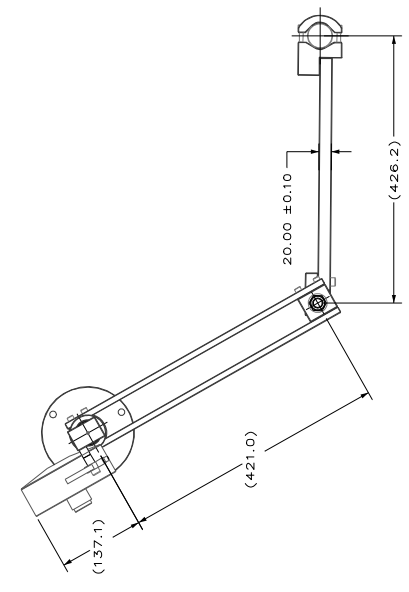


ZONE REV	DESCRIPTION	DATE	APPROVED
00	ECC01399US - ENGINEERING RELEASE	05/29/08	JTC

- NOTES:
1. MAX TORQUE: 100Nm
 2. MAX WORKING REACH: 762mm
 3. TOOL DIAMETER: 51.82/27.94mm
 4. MAX TOOL WEIGHT: 3.63kg



DETAIL Z
SCALE 2:1
SCALE 2:1
TOOL HOLE
FOR CLARITY



MATERIAL	HEAT TREAT	FRESH
UNLESS OTHERWISE SPECIFIED, ALL DIMENSIONS ARE IN MILLIMETERS. DIMENSIONS IN PARENTHESES ARE IN INCHES.	UNLESS OTHERWISE SPECIFIED, ALL DIMENSIONS ARE IN MILLIMETERS. DIMENSIONS IN PARENTHESES ARE IN INCHES.	UNLESS OTHERWISE SPECIFIED, ALL DIMENSIONS ARE IN MILLIMETERS. DIMENSIONS IN PARENTHESES ARE IN INCHES.
SI-METRIC	SI-METRIC	SI-METRIC
PRODUCTIVITY SOLUTIONS	PRODUCTIVITY SOLUTIONS	PRODUCTIVITY SOLUTIONS
TORQUE ARM ASSEMBLY, 100Nm	TORQUE ARM ASSEMBLY, 100Nm	TORQUE ARM ASSEMBLY, 100Nm
DATE: 05/29/08	DATE: 05/29/08	DATE: 05/29/08
SCALE: 1:1	SCALE: 1:1	SCALE: 1:1
SIZE: A1	SIZE: A1	SIZE: A1
NIS	NIS	NIS
1	1	1