

MTK Series

6 metric ton towing capacity

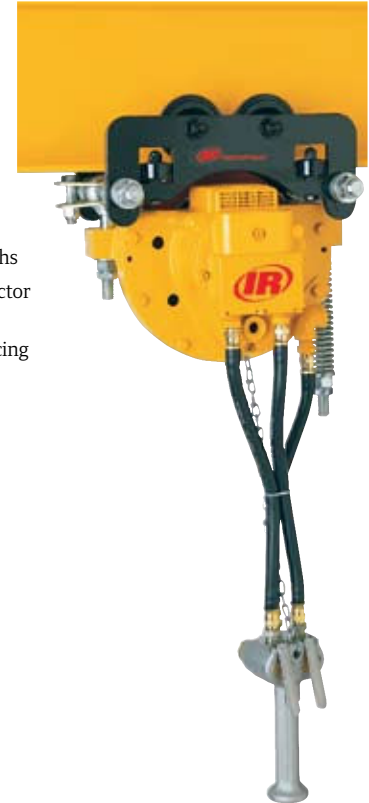
Features

MTK Series tractors require less air, making them less expensive to operate. They're designed for use with any hoist, or even alone to push, pull, or position loads on beams.

- Up to 6 metric ton towing capacity
- Interchangeability with MLK Series and HLK Series parts
- Balanced gear package and air motor provide speeds from slow creep to 165 fpm
- Million-cycle performance tested air motor with spring-loaded vanes provides instant starting and slow speed control
- Heat-treated planetary gearing assures longer life and reduced maintenance
- Self-adjusting, spring-applied, non-asbestos disc brake is air-released for smooth starts and stops
- Drive tire is made from extremely durable polyurethane material with a temperature rating of 185° F for excellent adjustable gripping characteristics
- Tight turning radius of 30"
- Universal solid cast-iron wheels fit both flat and tapered beams
- Wheels can be greased for longer life
- Standard tractor fits 2.7" – 6.3" beam flange widths
- Roller guides made from high alloy steel keep tractor running smoothly
- Tractor operates with a full-flow pendent, enhancing load-spotting control
- Standard 7' pendent length
- Tow bar included with tractor

Options

- Free wheel kit that permits moving of tractor without supplying air; attaches directly to tractor without modification
- Wide flange kit fits 6.27 – 12" beam flange widths
- Pull chain operation
- Bronze wheels for spark-resistant applications
- Gasket repair and manual brake release kits
- Drawbar hitch kit
- External brake release kit relieves auto disc brake without running tractor

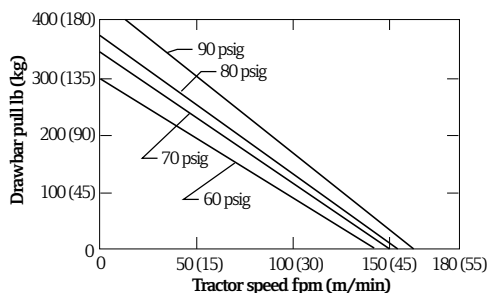


MTK Series Tractor Specifications*

Drawbar Pull lb	Capacity		Max Speed fpm	Pendent Length ft	Turning Radius in	Beam Flange Width	
	Flat, Dry Good metric tons	Curved, Slick, Poor metric tons				Standard in	Optional in
0	0	0	165	7	30	2.7 - 6.3	6.3 - 12
100	1.50	0.75	117	7	30	2.7 - 6.3	6.3 - 12
200	3	1.50	86	7	30	2.7 - 6.3	6.3 - 12
300	4.25	2.25	57	7	30	2.7 - 6.3	6.3 - 12
400	6	3	21	7	30	2.7 - 6.3	6.3 - 12

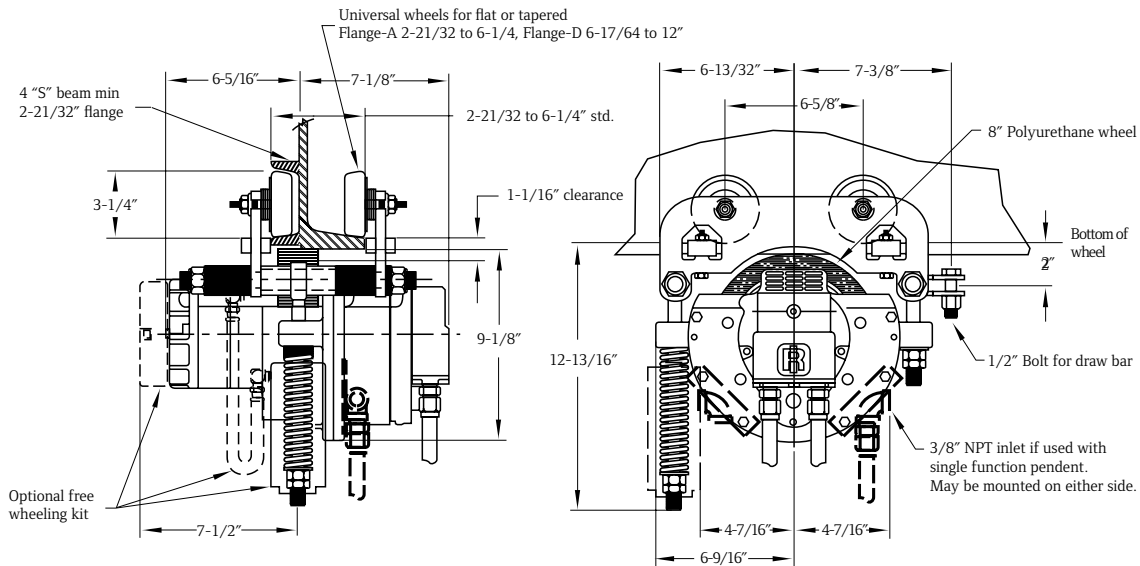
*At 90 psi inlet pressure. Average air consumption is 35 scfm; range is 25 to 45 scfm, depending on load and air pressure.

Draw Bar Load vs. Tractor Speed



MTK Series

6 metric ton towing capacity



► HOW TO ORDER

Specify complete model number as shown. This model code includes: Series, Standard or S*COR*E, type of Trolley, length of chain or pendent drop, flange width, and options. Some accessories may be ordered by specifying them as an option code or by ordering separately by part number. See the Accessories and Options charts above.

Example: MTKS-307AM

MTK	S	3	07	A	M
Series	Standard or S*COR*E	Type of control/trolley	Chain or pendent length	Flange width (in)	Options
MTK	<p>S = Standard cast iron wheels</p> <p>B = Standard bronze wheels for S*COR*E features</p>	<p>0 = No pendent⁽¹⁾</p> <p>1 = Pull chain</p> <p>2 = Single motor pendent⁽¹⁾</p> <p>3 = Two motor pendent⁽²⁾</p> <p>4 = Three motor pendent</p>	<p>07 = 7 ft (standard)</p> <p>XX = Specify length in feet</p> <p>00 = No pendent hose or pull chain</p>	<p>A = Fits 2.66 - 6.25</p> <p>D = Fits 6.26 - 12.00</p>	<p>E = External brake release kit</p> <p>F = Free wheel</p> <p>M = Manual brake release</p> <p>P = Piped away exhaust</p>

(1) Specify when used in combination with hoist on the same order. Specify multiple pendent control function on the hoist only.

(2) Do not specify if tractor is ordered with a hoist.