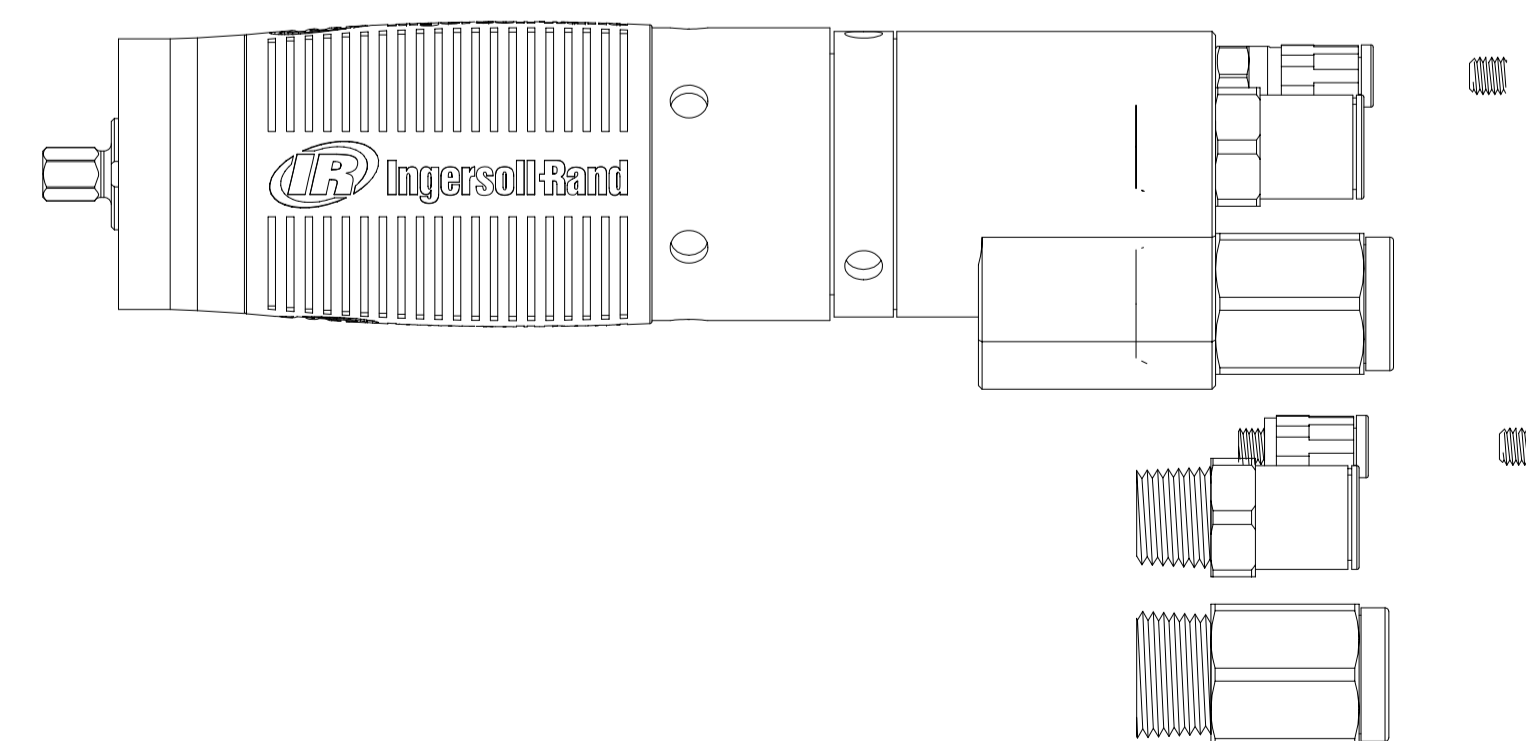
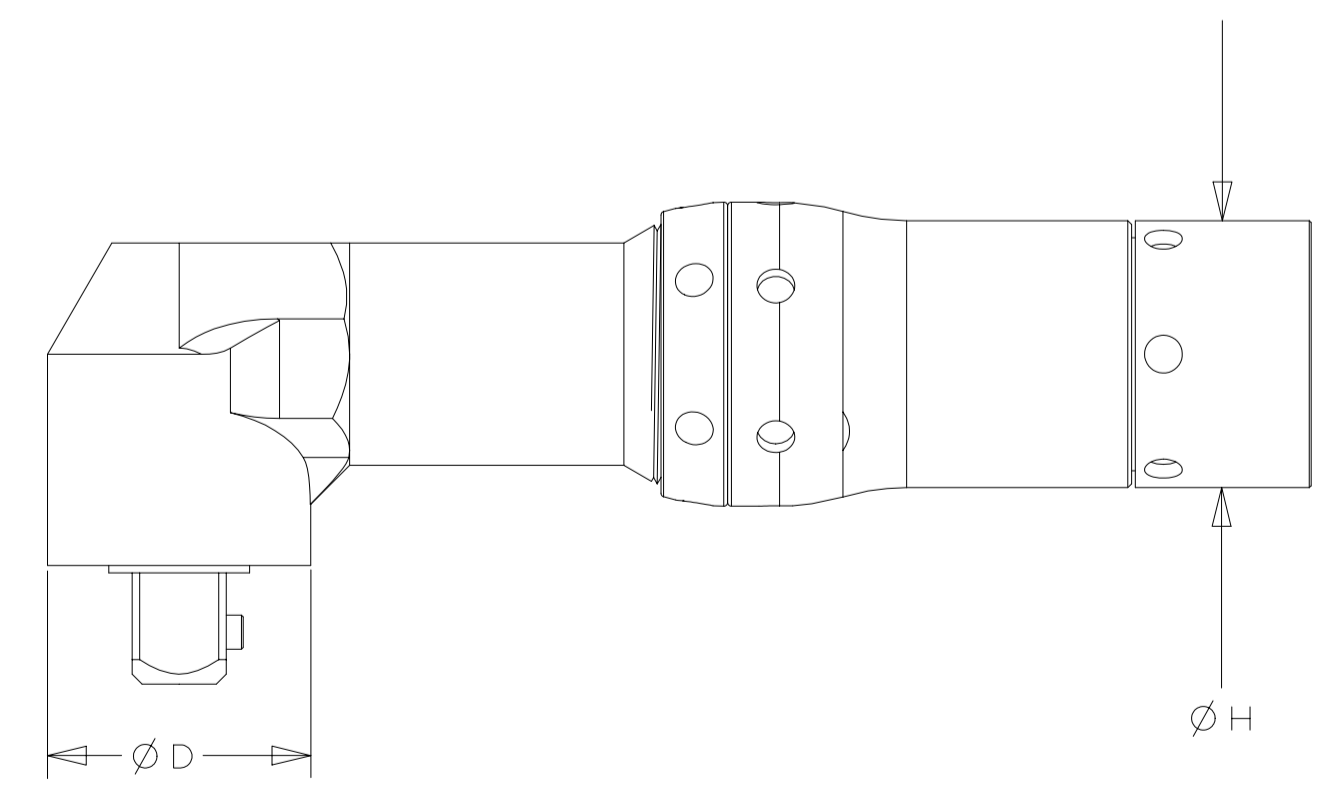
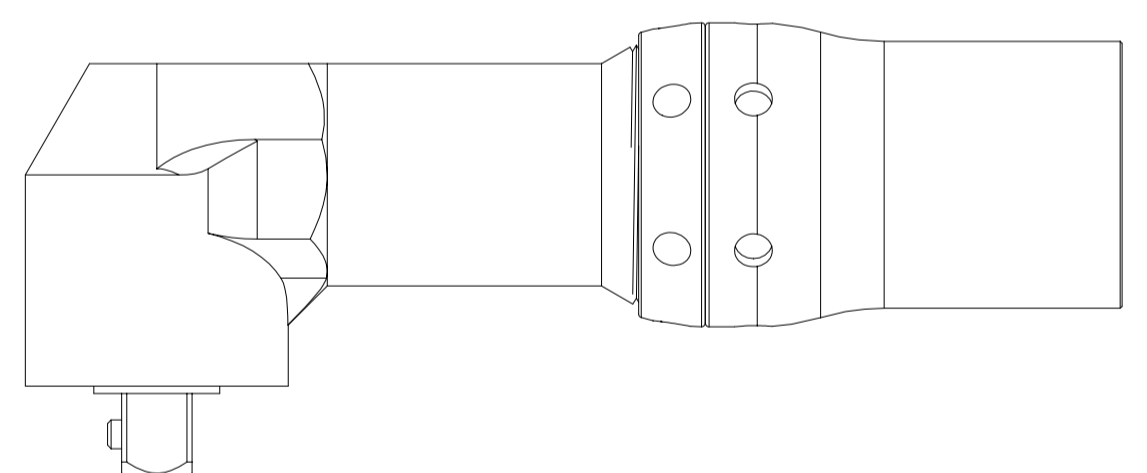
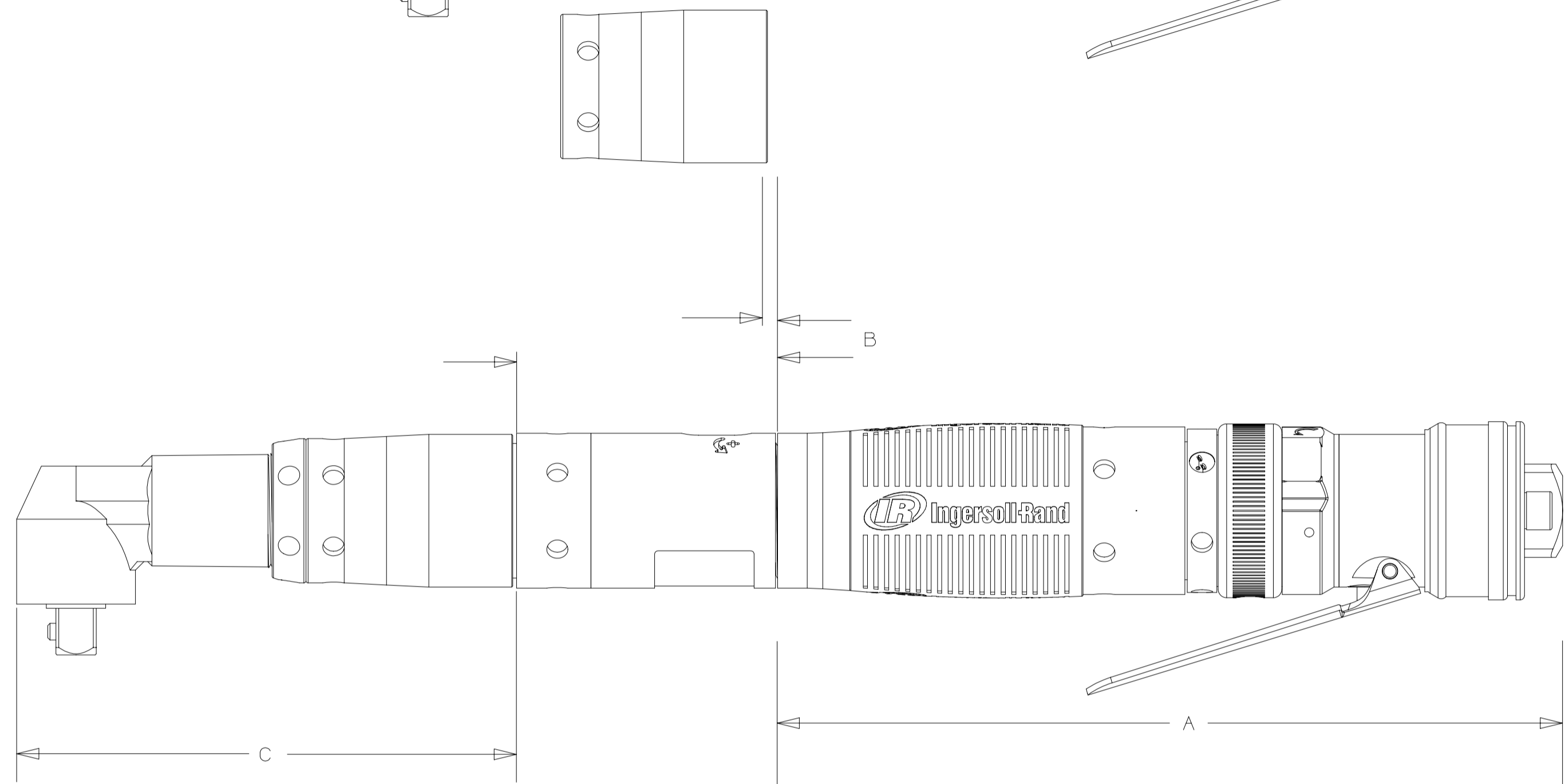
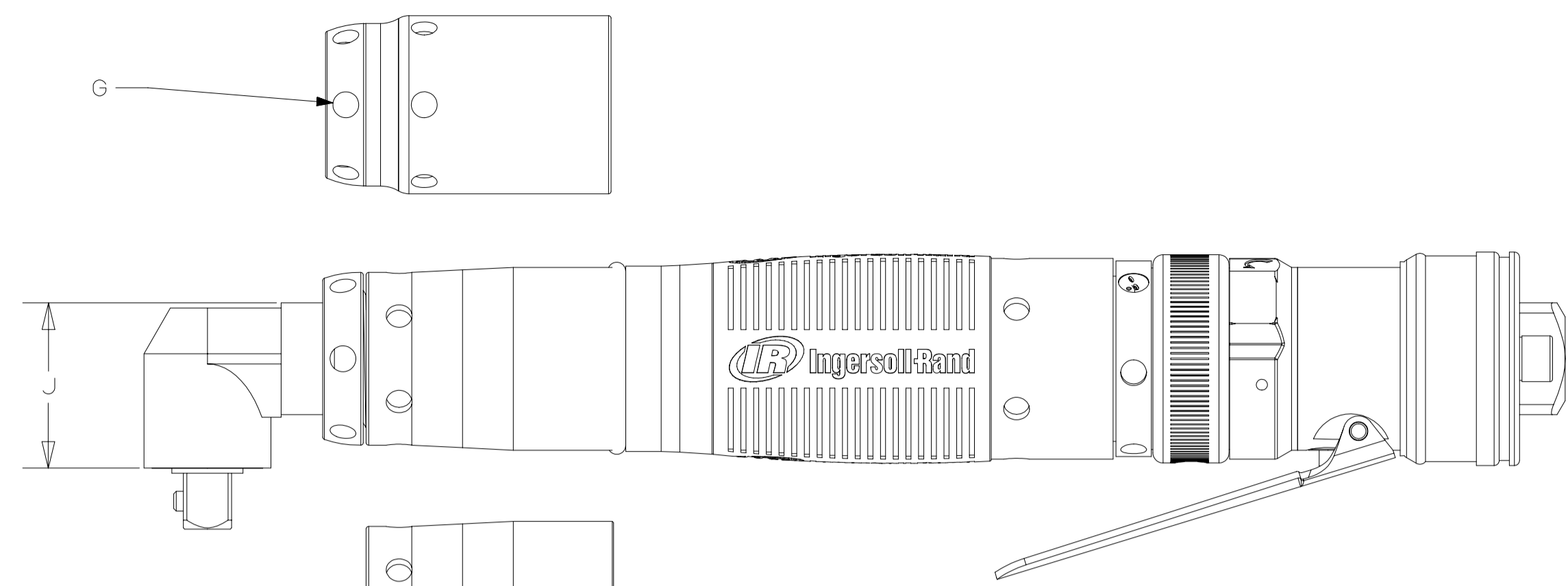
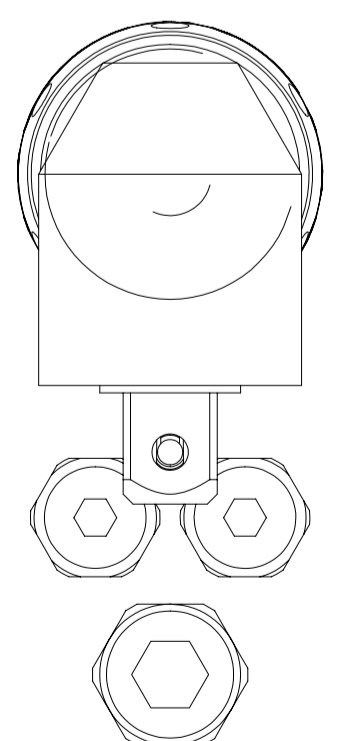
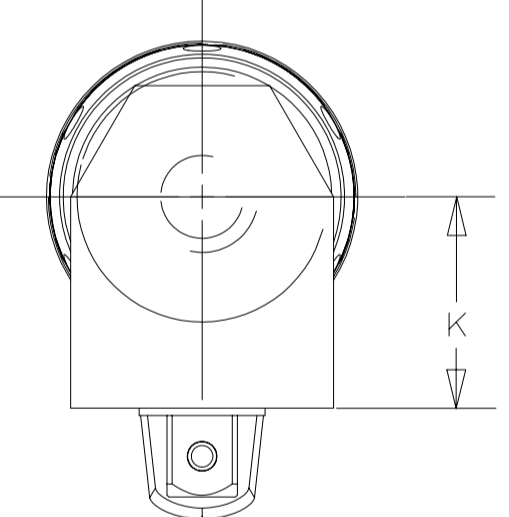
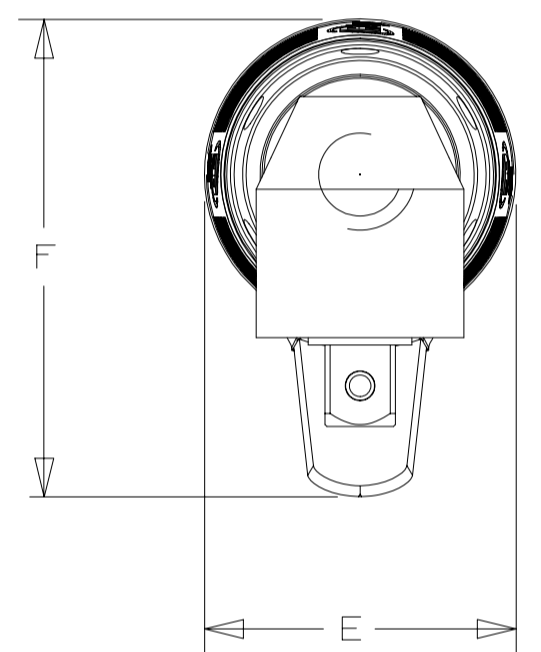
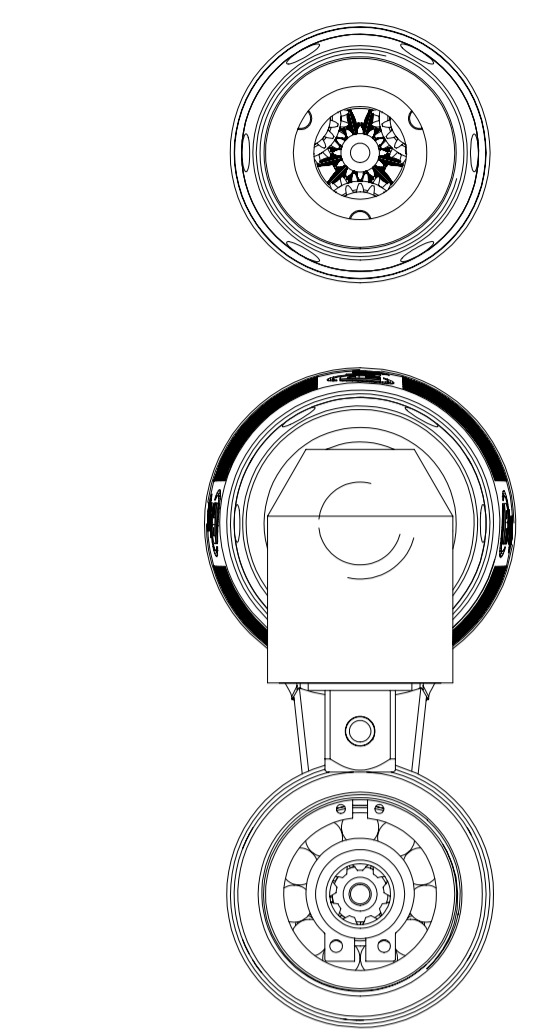


ZONE	REV	DESCRIPTION	DATE	APPROVED



DIMENSION	MODULE/CONFIGURATION	INCH	MM
A	DIRECT DRIVE	7.29	185.05
	SHUTOFF	7.29	185.05
	REMOTE	6.77	172.05
B	CLUTCH	2.42	61.50
	DIRECT DRIVE	0.10	2.56
C	25 SIZE HEAD	3.76	95.40
	28 SIZE HEAD	4.57	116.20
	35 SIZE HEAD	5.84	148.44
D	35 SIZE THREE STAGE	6.74	171.14
	25 HEAD	0.98	25.00
	28 HEAD	1.10	28.00
E	35 HEAD	1.40	35.5
	WIDTH	1.65	42.00
F	HEIGHT	2.54	64.43
G	SPANNER HOLE	0.20	5.10
H	MOTOR HOUSING	1.56	39.50
	CLUTCH HOUSING	1.44	36.50
	SECOND STAGE	1.42	36.00
	THIRD STAGE	1.61	41.00
	25 HEAD	0.87	22.00
J	28 HEAD	1.04	26.50
	35 HEAD	1.18	30.00
	25 HEAD	1.28	32.50
K	28 HEAD	1.39	35.25
	35 HEAD	1.71	43.50
	25 HEAD	0.85	21.50
K	28 HEAD	0.87	22.00
	35 HEAD	1.12	28.50

MATERIAL
N/A
HEAT TREAT
N/A
FINISH
N/A

UNLESS OTHERWISE SPECIFIED DIMENSIONS ARE IN MILLIMETERS PER ANSI Y14.5M-1994 TEL. ON ANGLE 45° MAX REMOVE BURRS AND SHARP CORNERS MACH SURFACES 3.2 MAX

WARNING: THE EXPORT OR RE-EXPORT OF THIS DRAWING OR A PRODUCT PRODUCED BY THIS DRAWING IS SUBJECT TO U.S. EXPORT ADMINISTRATION REGULATIONS AND OTHER APPLICABLE GOVERNMENTAL RESTRICTIONS OR REGULATIONS.
INGERSOLL-RAND IS THE SOLE OWNER OF THIS DRAWING AND ALL INFORMATION IN IT, WHICH ARE PROTECTED BY COPYRIGHT AND OTHER LAWS AND MAY BE SUBJECT TO LAWS REGARDING EXPORTING INFORMATION OUTSIDE OF THE U.S.; THIS DRAWING MAY BE USED ONLY BY ITS RECIPIENTS FOR THE PURPOSE FOR WHICH IT IS PROVIDED AND ONLY BY THE RECIPIENT, WHO AGREES THAT IT WILL NOT, WITHOUT INGERSOLL-RAND'S PRIOR WRITTEN PERMISSION, (1) DISCLOSE NOR USE THIS DRAWING OR THE INFORMATION IN IT EXCEPT AS SPECIFIED ABOVE OR (2) MAKE ANY COPIES OF OR EXTRACTS, REVISIONS, OR UPDATES FROM THE DRAWING. ALL COPIES MUST BE RETURNED TO INGERSOLL-RAND UPON COMPLETION OF THE WORK FOR WHICH THEY HAVE BEEN PROVIDED OR UPON ANY EARLIER REQUEST.

COPYRIGHT © 2005 INGERSOLL-RAND COMPANY ALL RIGHTS RESERVED

SI-METRIC
THIRD ANGLE PROJECTION
DENOTES REQUIRED ENGLISH DIMENSION

INGERSOLL-RAND
PRODUCTIVITY SOLUTIONS
DRAWING TITLE
QA4 MASTER MODEL
PART NO.
QA4
CCN
80149826
REV
00
SCALE
N/A
SHEET
0 OF 0

