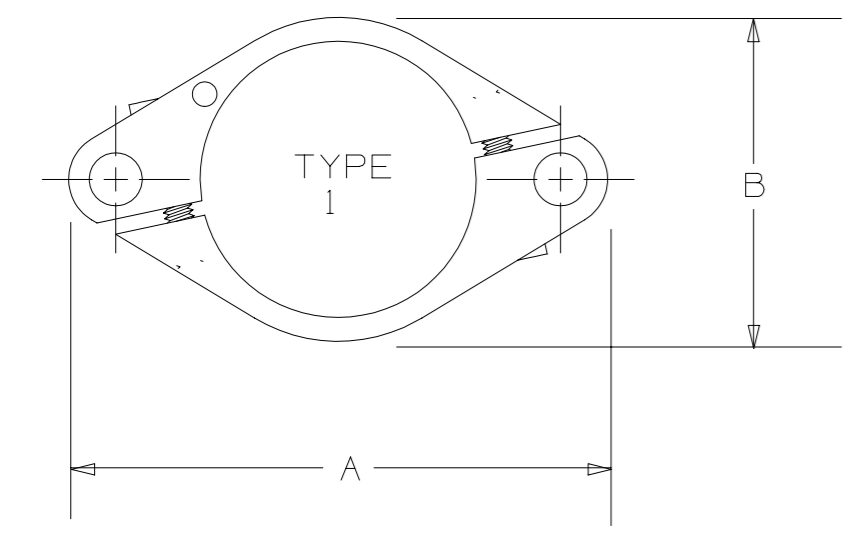
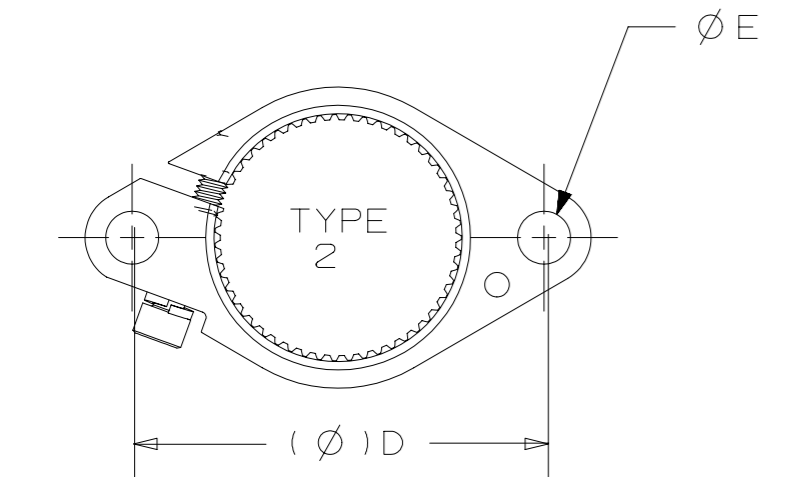
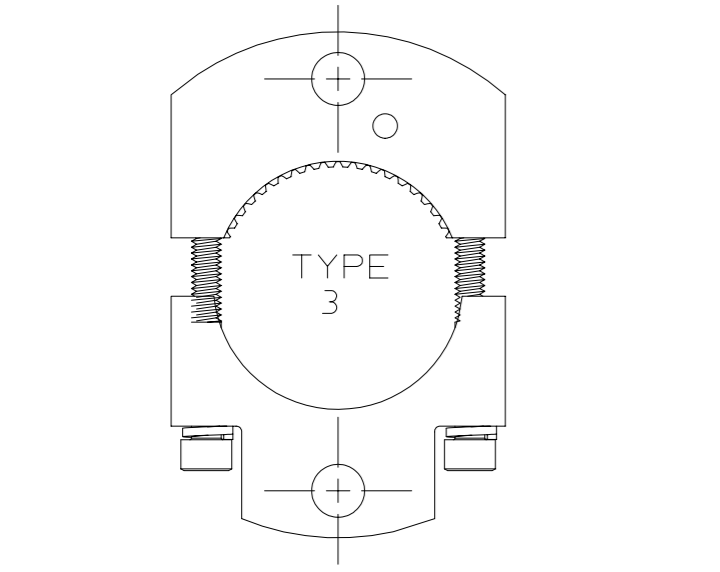
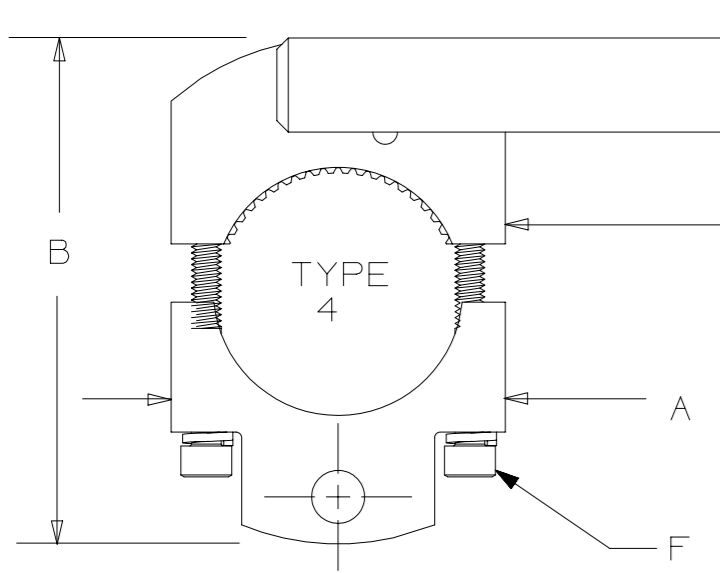
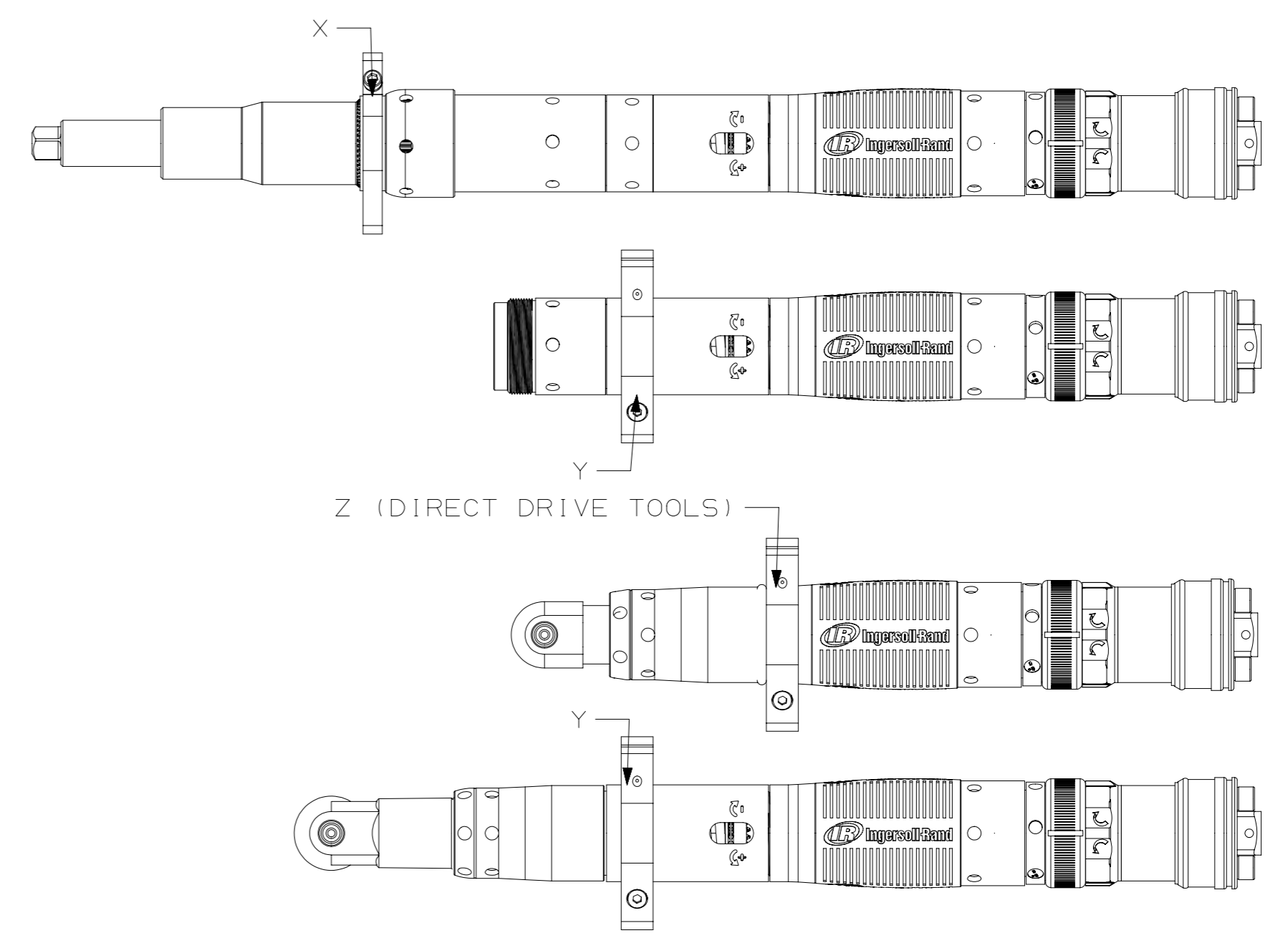
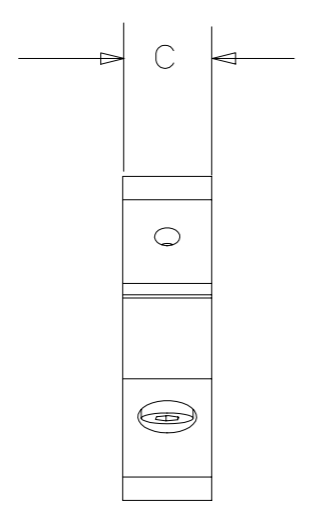


ZONE	REV	DESCRIPTION	DATE	APPROVED



CCN	PART NUMBER	DESCRIPTION	FLANGE OR REACTION BAR TYPE	MOUNTING LOCATION	FOR MODELS	A	B	C	D	E	F	G
04696415	15E4-K48	FULL SPLINE	2	X	INLINE, 011-027 NM, FLOAT SPINDLE	68.26	40.64	7.24	55.58	7.14	8-32 UNC-2A	-
04696456	GEA4-K48	WORK STATION	3	X	INLINE, 011-027 NM, FLOAT SPINDLE	45.08	68.28	9.525	55.58	7.14	8-32 UNC-2A	-
80153067	QA4-K48	SMOOTH CLAMP	1	Y, Z	ALL	72.70	43.7	12.0	60.0	7.14	M4 X 0.7	-
80112790	GEM120-K48	FULL SPLINE	2	X	INLINE, 046 NM, FLOAT SPINDLE	85.6	54.0	9.525	66.65	10.4	10-32 UNC-3A	-
04340535	DAM120-K48	WORK STATION	3	X	INLINE, 046 NM, FLOAT SPINDLE	54.7	69.4	9.525	64.13	10.4	10-32 UNC-3A	-
80132509	GEA15-K48	REACTION BAR	4	X	INLINE, 011-027 NM, FLOAT SPINDLE	45.08	68.28	9.525	55.58	7.14	8-32 UNC-2A	274.0
04642369	DEA120-K48	REACTION BAR	4	X	INLINE, 046 NM, FLOAT SPINDLE	54.7	69.4	9.525	64.13	7.14	10-32 UNC-3A	264.4



**PRELIMINARY**

MATERIAL	N/A
HEAT TREAT	N/A
FINISH	N/A

UNLESS OTHERWISE SPECIFIED DIMENSIONS ARE IN MILLIMETERS PER ANSI Y14.5M-1994 TOL ON ANGLE ±0° 30' REMOVE BURRS AND SHARP CORNERS MACH SURFACES 3.2/ MAX

**WARNING:**  
THE EXPORT OR RE-EXPORT OF THIS DRAWING OR A PRODUCT PRODUCED BY THIS DRAWING IS SUBJECT TO U.S. EXPORT ADMINISTRATION REGULATIONS AND OTHER APPLICABLE GOVERNMENTAL RESTRICTIONS OR REGULATIONS.

INGERSOLL-RAND IS THE SOLE OWNER OF THIS DRAWING AND ALL INFORMATION IN IT, WHICH ARE PROTECTED BY COPYRIGHT AND OTHER LAWS AND MAY BE SUBJECT TO LAWS REGARDING EXPORTING INFORMATION OUTSIDE OF THE U.S. THIS DRAWING MAY BE USED ONLY BY ITS RECIPIENTS FOR THE PURPOSE FOR WHICH IT IS PROVIDED AND ONLY BY THE RECIPIENT, WHO AGREES THAT IT WILL NOT, WITHOUT INGERSOLL-RAND'S PRIOR WRITTEN PERMISSION, DISCLOSE NOR USE THIS DRAWING OR THE INFORMATION IN IT EXCEPT AS SPECIFIED ABOVE; OR 2) MAKE ANY COPIES OF OR EXTRACTS, REVISIONS, OR UPDATES FROM THE DRAWING. ALL COPIES MUST BE RETURNED TO INGERSOLL-RAND UPON COMPLETION OF THE WORK FOR WHICH THEY HAVE BEEN PROVIDED OR UPON ANY EARLIER REQUEST.

COPYRIGHT © 2005  
INGERSOLL-RAND COMPANY  
ALL RIGHTS RESERVED

SI-METRIC	
H	DENOTES REQUIRED ENGLISH DIMENSION
THIRD ANGLE PROJECTION	
DWN BY	N/A
CKD BY	N/A
PROJECT LEADER APP	N/A

**Ingersoll-Rand**  
PRODUCTIVITY SOLUTIONS

Ingersoll-Rand Company  
1467 Route 31 South  
Annandale, NJ 08801

DRAWING TITLE  
QA4 MASTER MODEL

PART NO.	CCN	REV
QA4	80149826	00

SIZE A2 SCALE N/A SHEET 1 OF 1